

O Ring 1545-30

Weld in position

396
Reduced by 50mm

O Ring 1145-30

A

Oil seal MOS 70-80-10 TC

Oil seal MOS200-240-15 TC

4 packers 50x50x8 (Ø18 hole)

Oil Seal MOS170-190-15 WC
Check with manufacture

A (1 : 1)

Thrust bearing 51140

Ball Bearing 6040

Pump SD OMR 315

UNLESS OTHERWISE SPECIFIED:
DIMENSIONS ARE IN MILLIMETERS
SURFACE FINISH:
TOLERANCES:
LINEAR:
ANGULAR:

FINISH:

DEBUR AND
BREAK SHARP
EDGES

DO NOT SCALE DRAWING

REVISION 3

Q.E.S. Ltd

	NAME	SIGNATURE	DATE
DRAWN	L. Orton		Oct 2005
CHK'D			
APPV'D			
MFG			
Q.A			

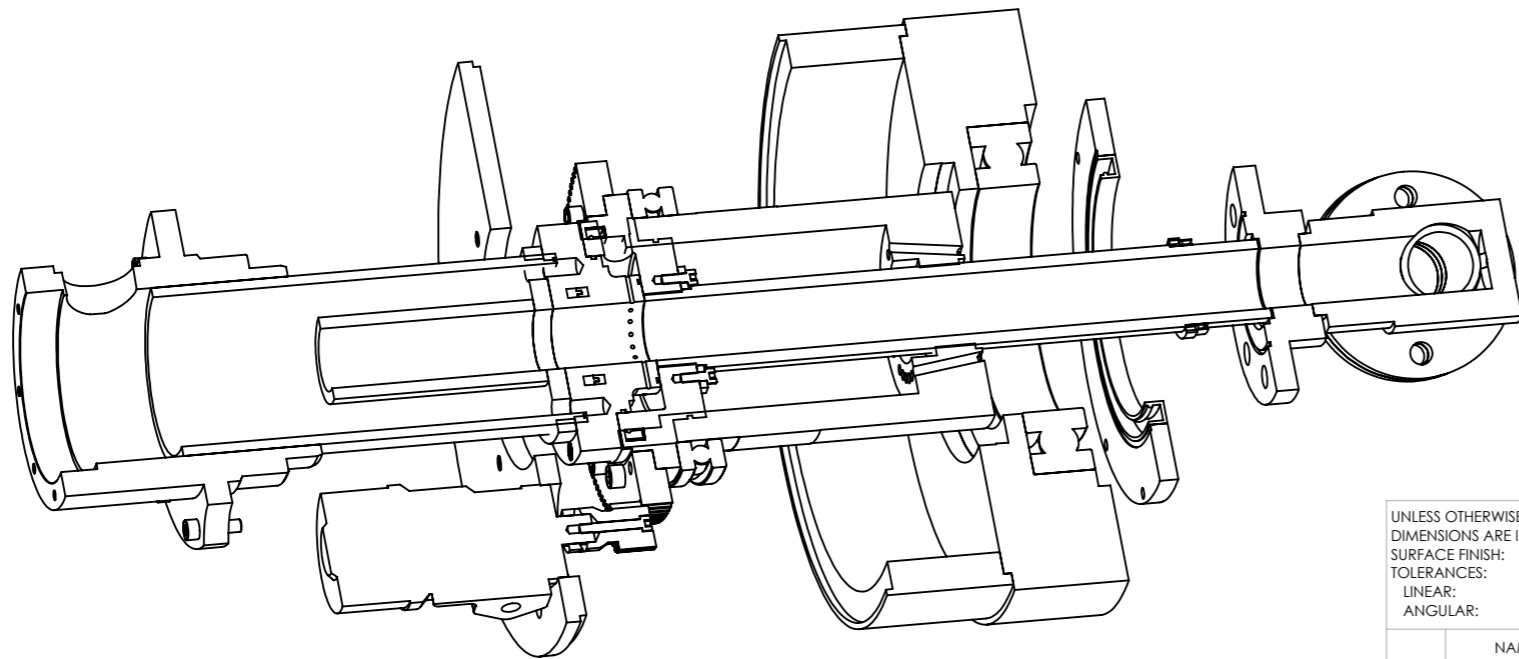
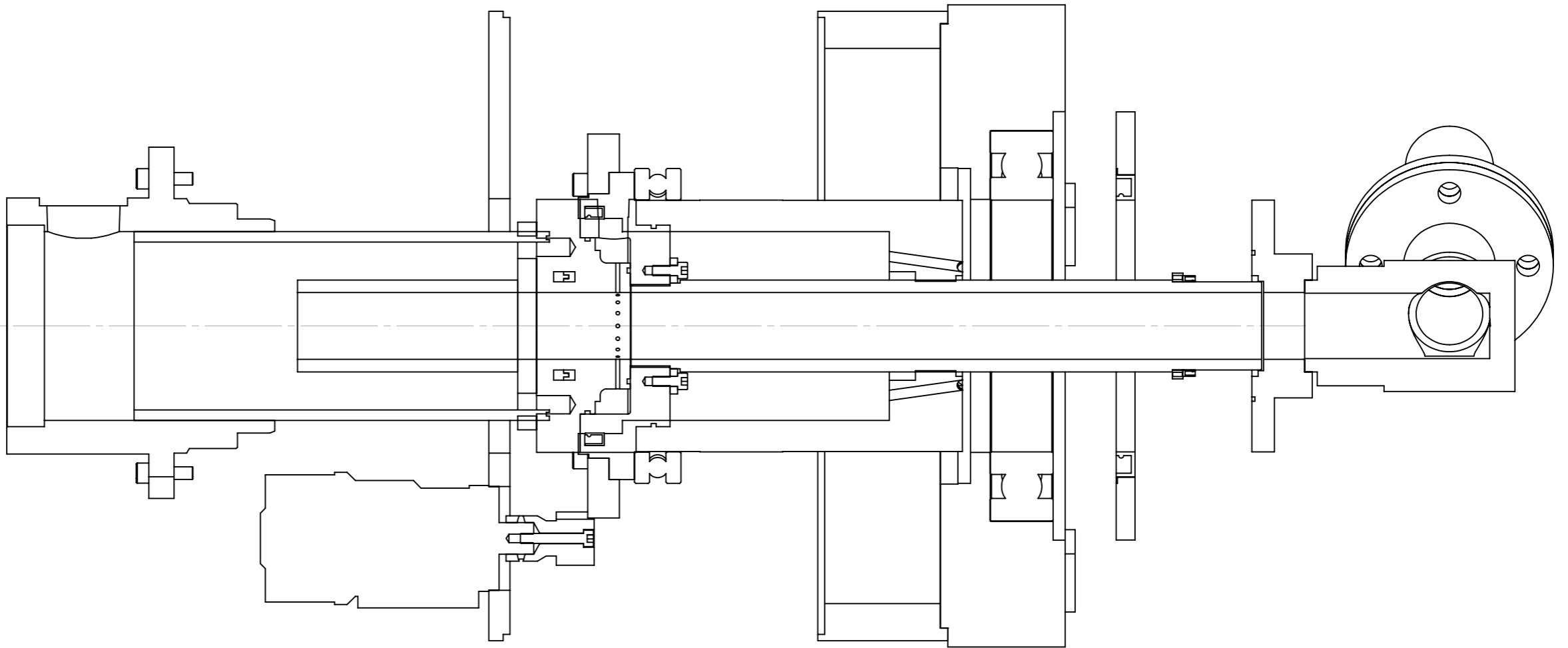
TITLE:
Robotic Shotcrete

DWG NO.
Robotic_Shotcrete_Pod A3

WEIGHT:

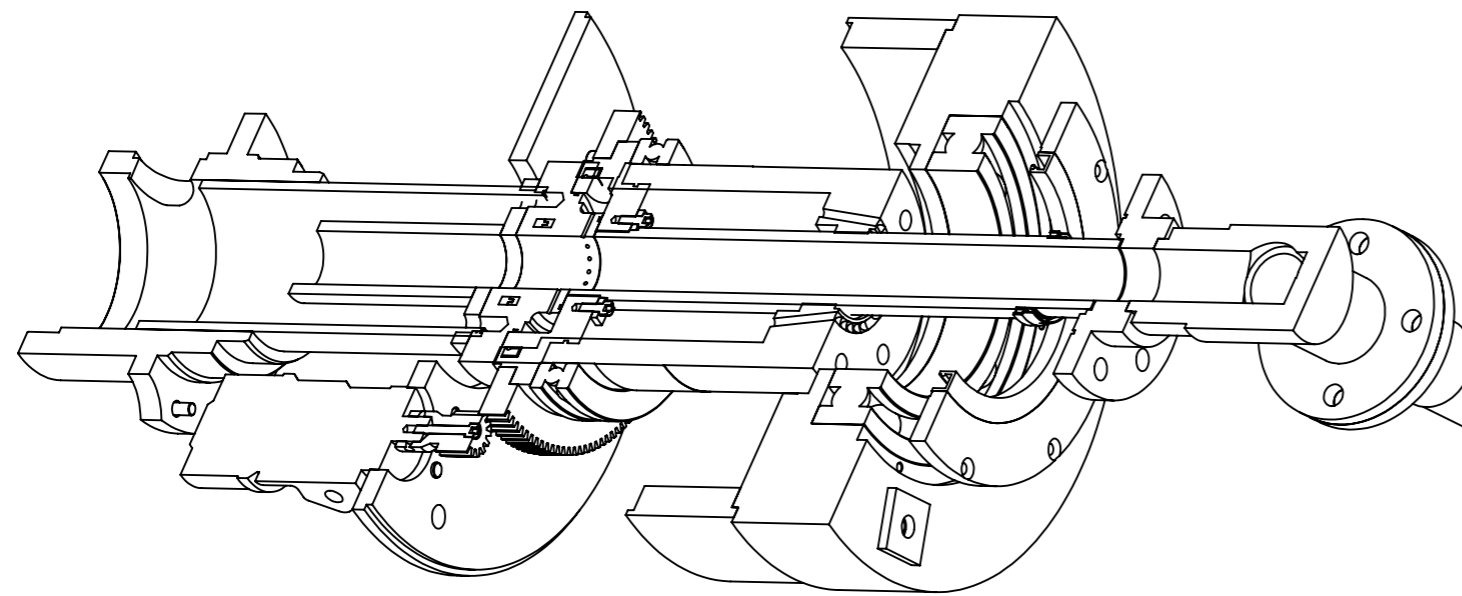
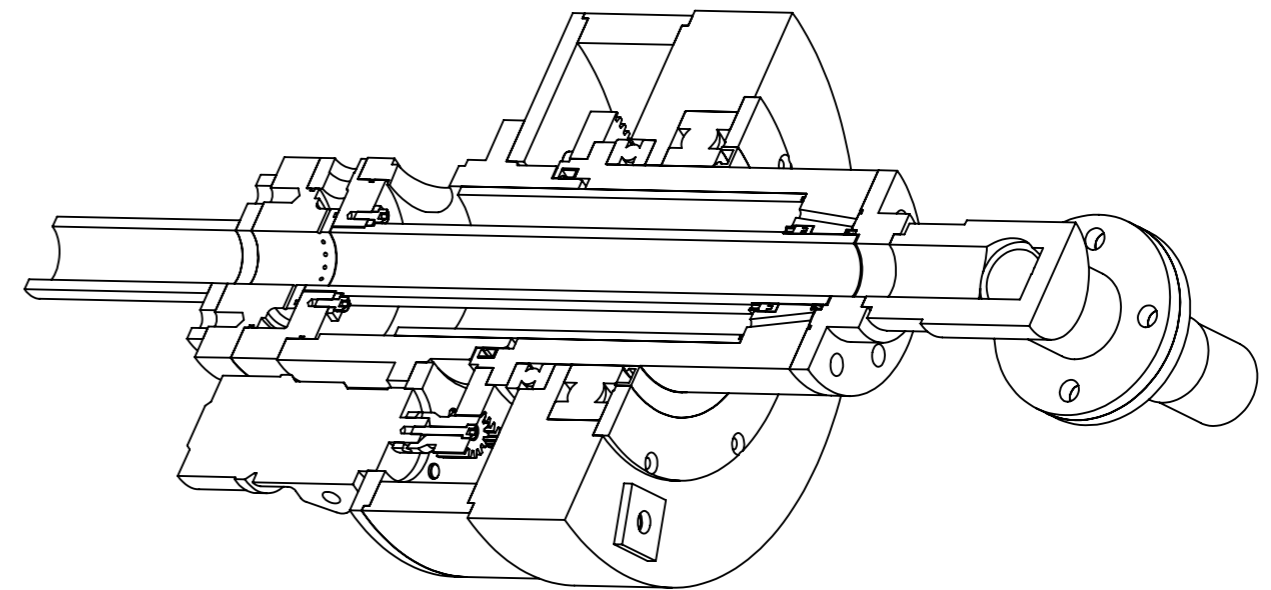
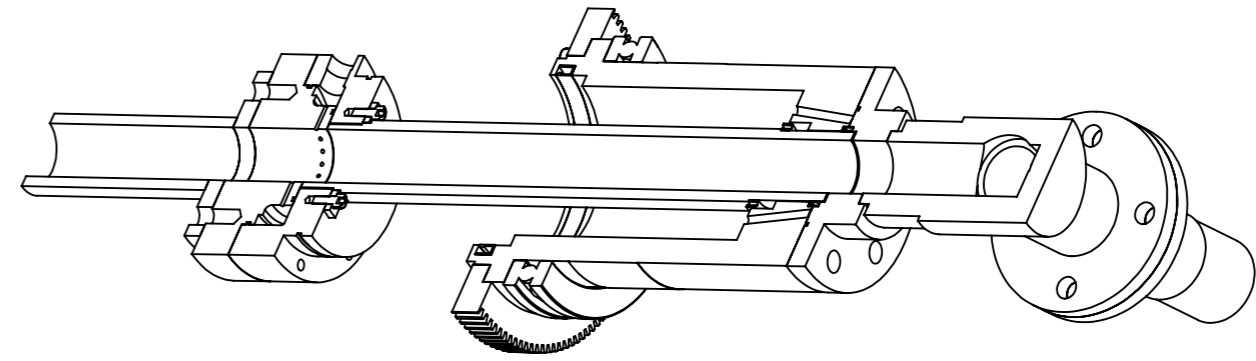
SCALE:1:4

SHEET 1 OF 3



UNLESS OTHERWISE SPECIFIED: DIMENSIONS ARE IN MILLIMETERS SURFACE FINISH: TOLERANCES: LINEAR: ANGULAR:		FINISH:	DEBUR AND BREAK SHARP EDGES		DO NOT SCALE DRAWING	REVISION	3
					Q.E.S. Ltd		
					TITLE:		
					Robotic Shotcrete		
					DWG NO.		A3
					Robotic_Shotcrete_Pod		
					SCALE:1:4		SHEET 2 OF 3
					WEIGHT:		

ITEM NO.	QTY.	PART NO.	DESCRIPTION
1	1	Body	Top Body
2	1	Rotary_Housing	Rotary Housing
3	1	120T_Gear	120 T Driven Gear
4	1	Cover_Plate	Cover Plate
5	1	Casing	Main Body
6	1	TubeAssemblyTube	Assembly
7	1	TubeAssemblyCollar	2 1/2" tube Collar
8	1	TubeAssembly3_4	Assembly
9	2	SQ_Tab	Lock Tab
10	2	M8x20	CAP SCREW
11	1	15T_Gear	15 T Drive Gear
12	1	Bearing_51140	Thrust Bearing
13	1	Bearing_6040	Bearing
14	1	Bearing_Cover	Bearing Cover
15	1	MOS200-240-15TC	Large Crank seal
16	1	SD_OMR_315_pump	Hydraulic pump
17	1	Ph_Br_Bearing	Thrust Bearing
18	1	MOS-70-80-10TC	Small Crank seal
19	1	MOS170-190-15SC	Crank seal
20	14	M12x35	CAP SCREW
21	1	SealTube	Seal Tube
22	1	M8x50	CAP SCREW
23	10	M10x35	CAP SCREW
24	8	M8x80	CAP SCREW
25	4	packers	
26	1	165_Flange	PN16 Inlet Flange
27	1	TubeAssembly	Assembly
28	1	Elbow_Boss	Elbow Boss
29	1	PN16_Elbow_Fl	PN16 Elbow Flange
30	1	Head_Flange	See Elbow Feed A
31	1	PN16_Flange	PN16 50 Flange



UNLESS OTHERWISE SPECIFIED: DIMENSIONS ARE IN MILLIMETERS		FINISH:		DEBUR AND BREAK SHARP EDGES		DO NOT SCALE DRAWING		REVISION		3	
SURFACE FINISH:											
TOLERANCES:											
LINEAR:											
ANGULAR:											
DRAWN		NAME		SIGNATURE		DATE		TITLE:			
CHK'D		L. Orton				Oct 2005		Q.E.S. Ltd			
APPV'D								Robotic Shotcrete			
MFG								Robotic_Shotcrete_Pod		A3	
Q.A								DWG NO.			
								SCALE:1:6		SHEET 3 OF 3	
								WEIGHT:			